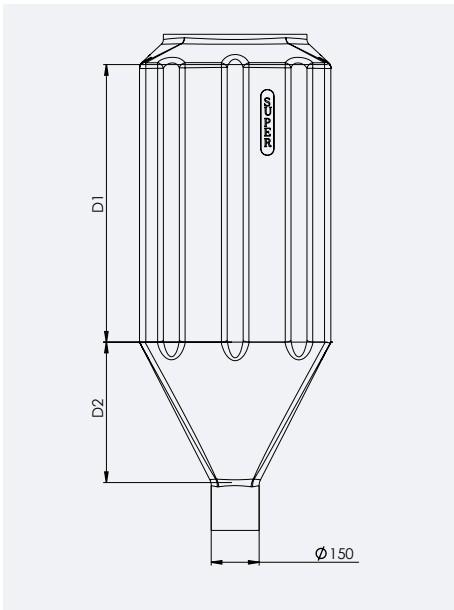


SILOS VATS AND TROLLEYS



Established in the year 1992, Baroda Polyform Private Limited started off with tank manufacturing with one rotomoulding machine. Gradually, the company started manufacturing and exporting a wide range of Textile Trolley, Vats, and Containers. With a purpose to excel, they began producing customised products as per the client's requirements. SUPER Tanks are made from High Grade Imported Polyethylene. This resin has a high level of ESCR (Environmental Stress Crack Resistance).

SILOS

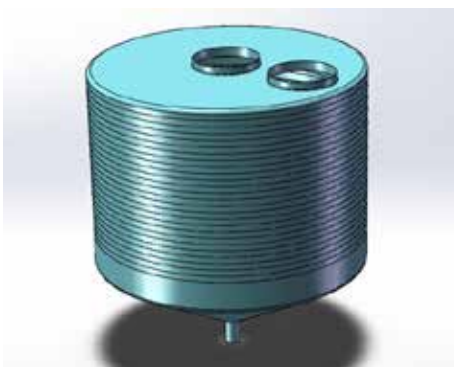
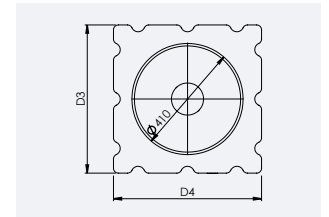


SILOS



SUPER make silos are also available with threaded lid.

NO.	CAPACITY	D1	D2	D3	D4	MANHOLE
1	180 LTR.	320	440	600	600	410
2	250 LTR.	620	440	600	600	410
3	450 LTR.	870	440	600	600	410
4	500 LTR.	1170	440	600	600	410
5	1200 LTR.	870	780	1000	1200	410



CONICAL BOTTOM TANK

SUPER made conical bottom tanks are also available with a threaded lid.

NO.	CAPACITY	DIA (in mm)	HEIGHT (in mm)
1	2000 LTR.	1510	1610
2	3000 LTR.	1700	1700
3	5000 LTR.	2120	1800
4	10000 LTR.	2520	2415



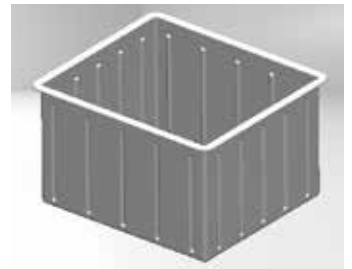
TEXTILE TROLLEY & TROUGH

TEXTILE TROLLEY

We can also offer Polyethylene containers without its frame assembled. According to the customer requirements, we can provide polyethylene containers with it's frame and wheels.

AVAILABLE WITH LID.

SR. NO.	CAPACITY	LENGTH (in mm)	WIDTH (in mm)	HEIGHT (in mm)
1	600 LTR.	1080	780	750
2	700 LTR.	1200	780	770
3	950 LTR.	1200	1050	770
4	1100 LTR.	1500	1060	770
5	3000 LTR.	2500	1050	1200
6	3000-I LTR.	2500	1200	1000



SUPER TROUGH

CAPACITY	L	B	H
450 LTR.	1220	1220	300

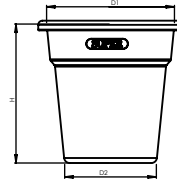


SILOS



CHEMICAL VAT

Stackable when empty.
Lid available (Push type)

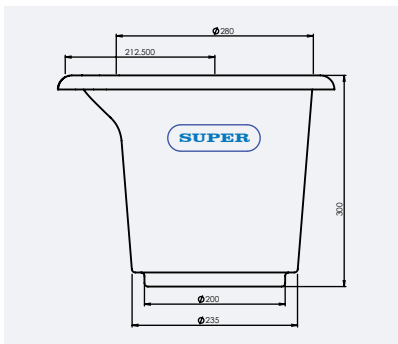


CAPACITY	D1	D2	H
40	460	330	500



OPEN TOP CONTAINER

SR. NO.	CAPACITY	WIDTH IN MM	HEIGHT IN MM
1	100 LTR	440	720
2	200 LTR	600	835
3	500 LTR	800	1080
4	500 LTR	1110	700
5	1000 LTR	1110	1180
6	2000 LTR	1580	1200
7	3000 LTR	1600	1580
8	5000 LTR	1930	1750



BUCKET 12 LTR

Stackable when empty.

CAPACITY	D1	D2	R1
12 LTR	280	235	212.50 C

